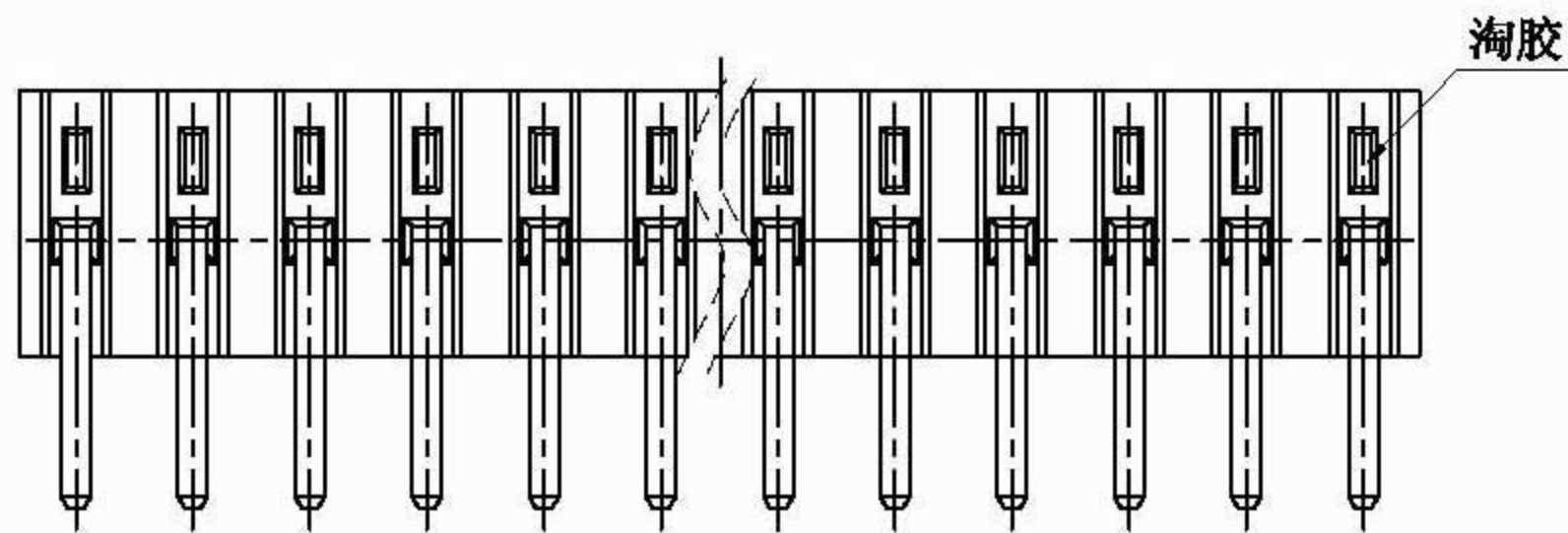
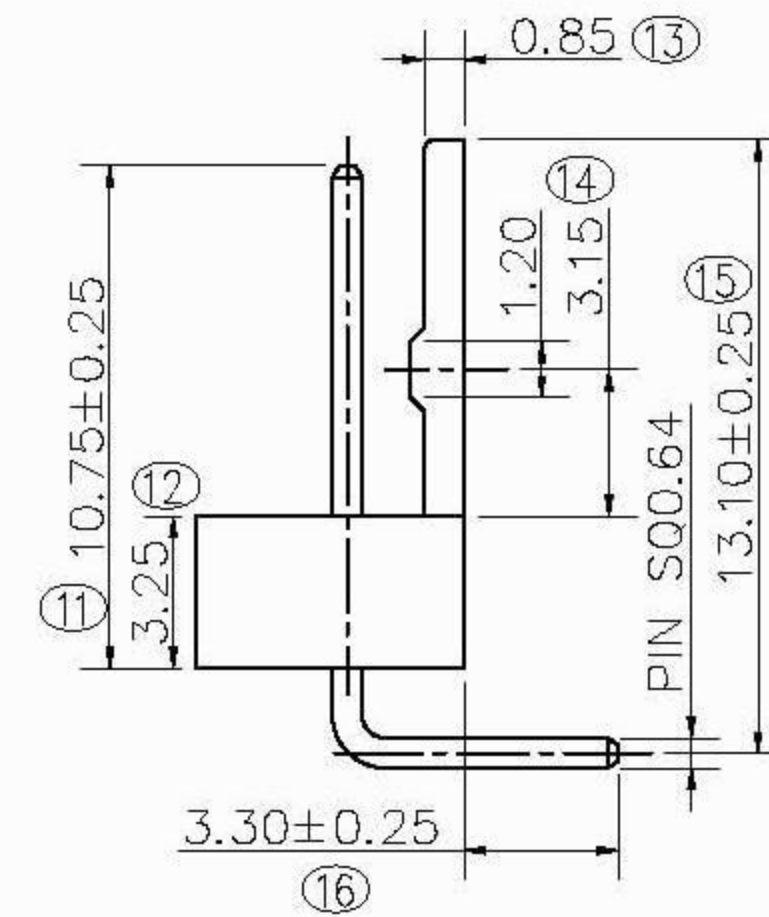
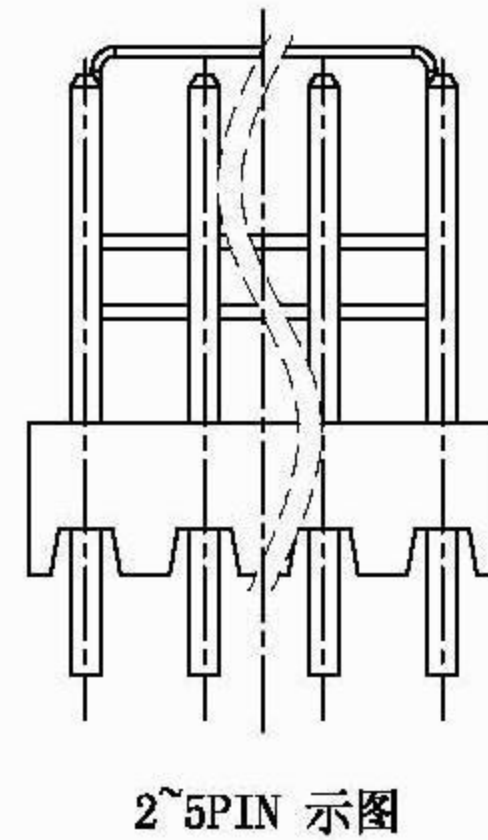
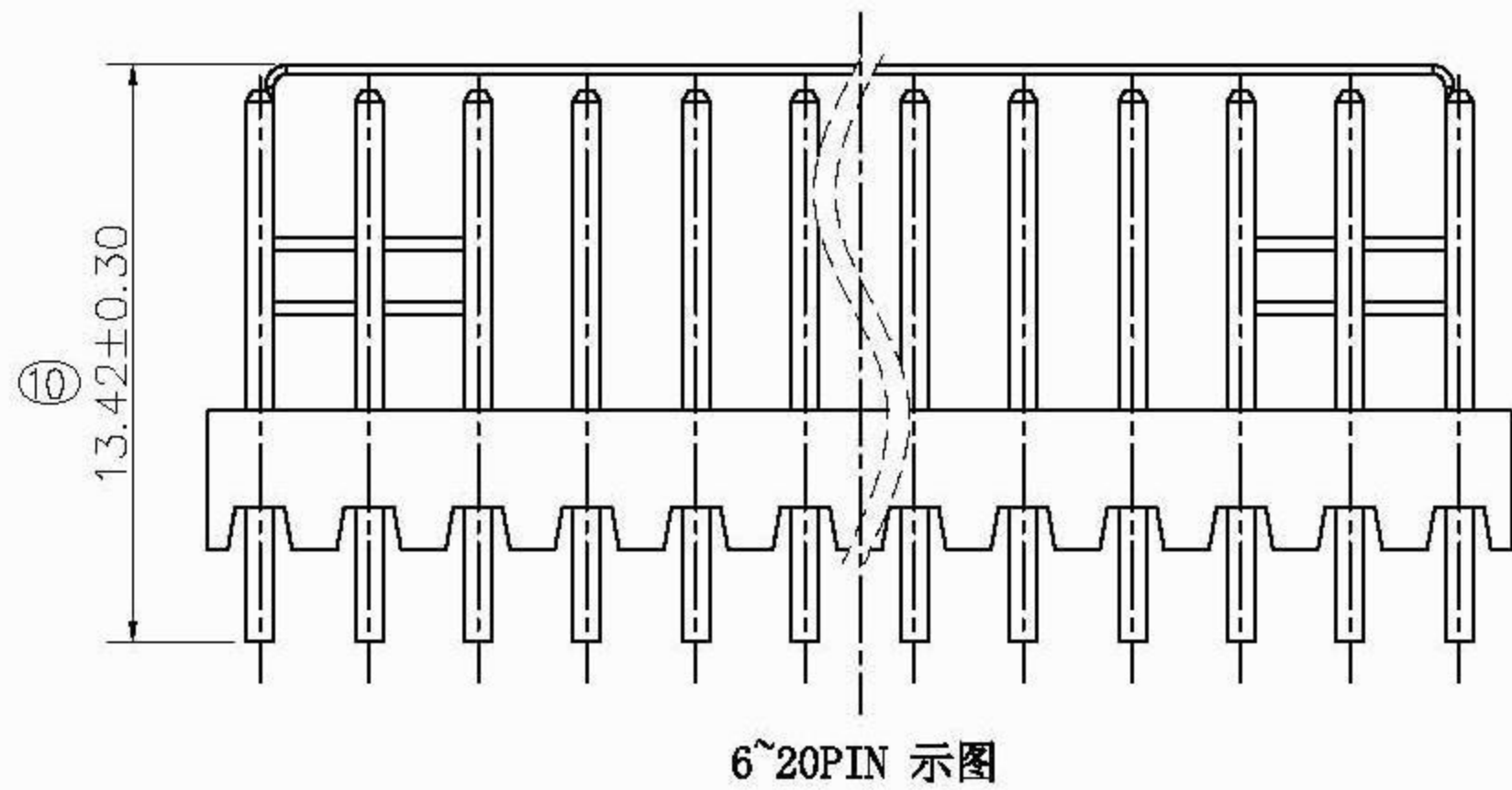
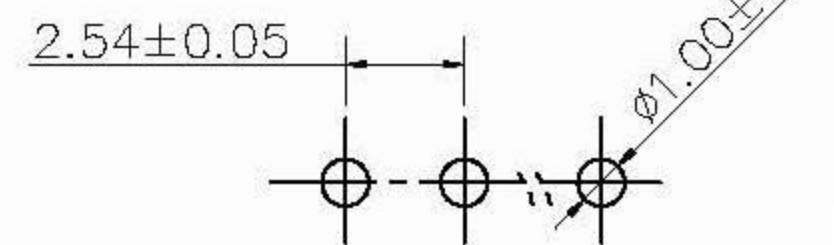


NOTES:
 CURRENT RATING: 4A AC/DC.
 VOLTAGE RATING: 250V AC/DC.
 TEMPERATURE RANGE: -25°C~+85°C.
 CONTACT RESISTANCE: 10mΩ MAX.
 INSULATION RESISTANCE: 1000MΩ MIN.
 WITHSTANDING VOLTAGE: 1000V AC/MINUTE.



Recommended P.C.B Layout (Top Side)

P.C.B Thickness = 1.20mm
 (Tolerance=±0.05)



共用件PIN	BRASS	SQ0.64X18.00 Ni 40-60J*MIN,WHOLE SN:80-120U*MIN
Wafer胶壳	PA66 UL94V-0	BUFF
Wafer胶壳	PA66+15%GF 94V-0	NATURE
PART NAME	MATERIALS	SPEC

DIM	TOL	DIM	TOL
X.	/	X'	/
X.X	±0.25	X.X'	±2'
X.XX	±0.20	X.XX'	±1'
X.XXX	±0.10	X.XXX'	/

GXCON ENTERPRISE CO., LTD					
DRAW NO.	DATE	P/N NO:	DRAW NAME:		
DESIGN:		WF2540RXX	MX 2.54 90° WAFER		
CHECK:		REV. E	SCALE 1:1	UNIT: mm	SHEET: 1 OF 1
REVIEW:					